

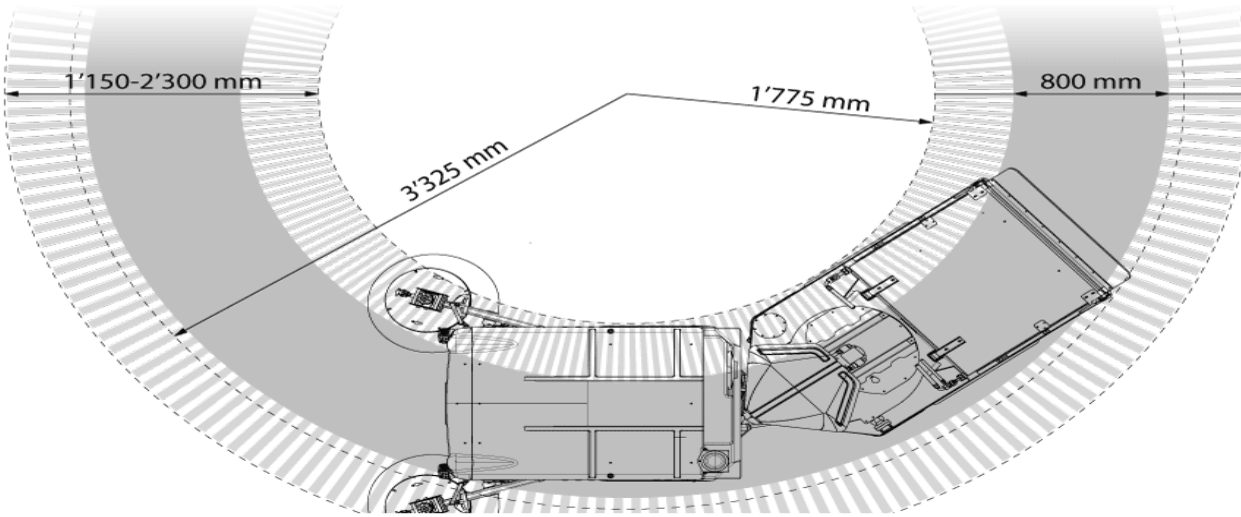
BOSCHUNG S2 SWEEPERS



SAFETY & COMFORT

The innovative articulated steering provides stress-free operations, laborious manoeuvres are eliminated. The wheels of the front and rear chassis run follow the same track. Obstacles can be avoided when cornering or turning. Furthermore the suction mouth fitted in the driving direction prevents annoying dirt marks.

The operator can focus on his sweeping tasks. A maintenance-friendly construction, paired with low-noise and low emissions are further advantages of the Urban-Sweeper S2.





ENGINE & PERFORMANCES

VW TDI 2.0 II Euromot 3B diesel engine with 55kW (75 HP)!
As a result fuel-economies up to 30%



BATTERY COMPARTMENT WITH ISOLATOR SWITCH AND ACCESS PLATFORM

At the rear of the Urban-Sweeper S2 sweeper you'll find the battery compartment, which accommodates the water pump and a battery isolator switch. A simple push is enough to interrupt the battery circuit (e.g. for repairs).
At the same time the cover serves as an access platform and offers a convenient access to the hopper.



Sadelığın zarafeti

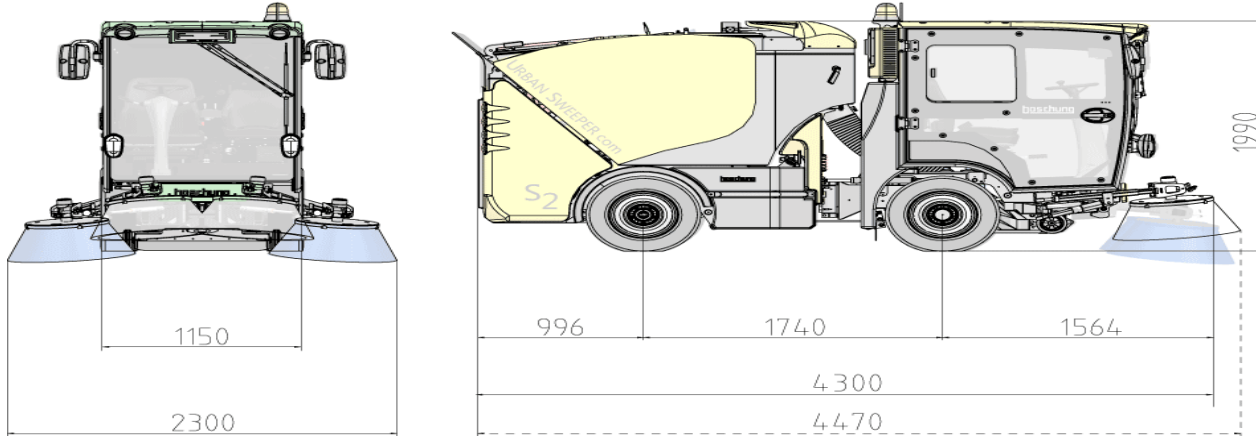
www.renkgup.com.tr

Super Dayıyıcı

Oruç Reis Mah. Tekstilkent Cad. Tekstilkent Tic. Mrk. 10/AN Blok No:301
Esenler - İstanbul Tel: 0212 564 66 66 (Pbx) info@renkgup.com.tr



DIMENSIONS



Length with standard brush	4,300 mm
Length with 3rd brush	5,020 mm
Width	1,150 mm
Height	1,990 mm
Sweeping width standard brush	2,300 mm
Sweeping width with 3rd brush	2,600 mm
Turning circle	6,650 mm
Turning circle 'kerb to kerb'	6,050 mm

Water Management System

Fresh water tank	190 lt
Water-recycling tank (aluminium) with integrated heat-exchanger and water dump lever	150 lt

Drive + Steering

Fully progressive 2 speed automatic hydrostatic transmission acting on front wheels, with responsive and progressive "anti lock" braking behaviour



Sadelinin zarafeti

www.renkgrup.com.tr

Sapar Dünyası

Oruç Reis Mah. Tekstilent Cad. Tekstilent Tic. Mrk. 10/AN Blok No:301
Esenler - İstanbul Tel: 0212 564 66 66 (Pbx) info@renkgrup.com.tr



Control Unit

- One-hand control unit on the center armrest
- Vpad color-screen with engine and setting parameters, incl. warning-lights with acoustic support
- Automatic reverse warning system (with "Silent-Night-Switch")
- one-button program - brings the vehicle at once into required setting
- Foot pressure-switch to control brush contact pressure
- Cruise control



Weighths

Empty weight (incl. fuel and driver, without options)	2300 kg
Payload	1500 kg
Gross vehicle weight	3500 / 4000 kg

Waste hopper (Aluminium)

Volumetric	2,5 m3
Tipping height	1,450 mm
Emptying width	990 mm
Tipping angle	50°
The hopper has an integrated recirculation water-tank through special filter panels	

Vacuum Lens

"It is located immediately behind the Brush head, plus a Special Vacuum foot that can be removed.
Mounted with a crisscrossed guard and suspended so that it can move. Vacuum duct - 180 mm in shape



Sadetiğin zarafeti

www.renkgrup.com.tr

Sapar Danyası

Oruç Reis Mah. Tekstilkent Cad. Tekstilkent Tic. Mrk. 10/AN Blok No:301
Esenler - İstanbul Tel: 0212 564 66 66 (Pbx) info@renkgrup.com.tr



Brush System

Disc-Brushes - 800 mm diameter
with steel/poly bristles
Individually hydraulic actuated arms
including forward impact shock absorbers
and side impact hydraulic protection
Infinitely variable up to 125 rpm.
Adjustable water valves on the brushes,
individually and independently controlled
from the control unit

Panoramic Cabin

Meets highest security standards
Soundproofed
Excellent all-round visibility onto all working areas
Floor-window with view onto the suction mouth
Walk through cabine for entering on both sides for maximum comfort and security
Suspended driver seat, co-driver seat
Heater with a 3-stage blower
Air-filter for cabin ventilation
Air circulating system with fresh-air
Adjustable steering column
Sliding windows on both sides
Intermittent 2-stage windshield wiper
Integrated working lights
Cabin lightening
Heated rear-view mirrors
Knock down rotating beacon
Radio/MP3

Other Specifications

Air conditioning.
Option 3 brush.
Reverse cam.
275/60 R15 tire measures.
Water spray gun with high pressure pump.
Optional: 125 mm diameter vacuum hose.
Benevolence set
spar



Sadeliğin zarafeti

www.renkggrup.com.tr

Sapar Dünyası

Oruç Reis Mah. Tekstilent Cad. Tekstilent Tic. Mrk. 10/AN Blok No:301
Esenler - İstanbul Tel: 0212 564 66 66 (Pbx) info@renkggrup.com.tr